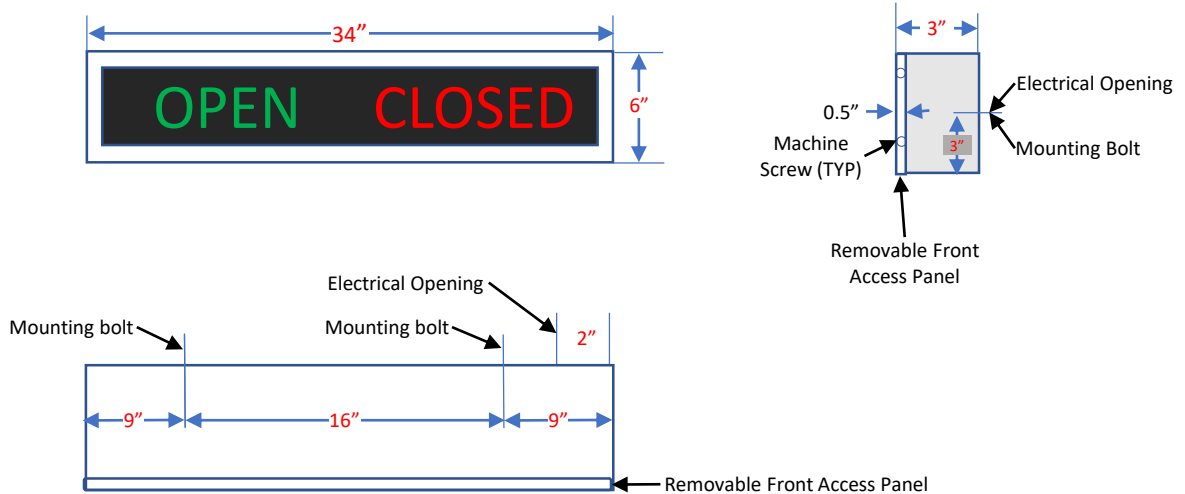




Model 634-LED Backlit Construction and Installation

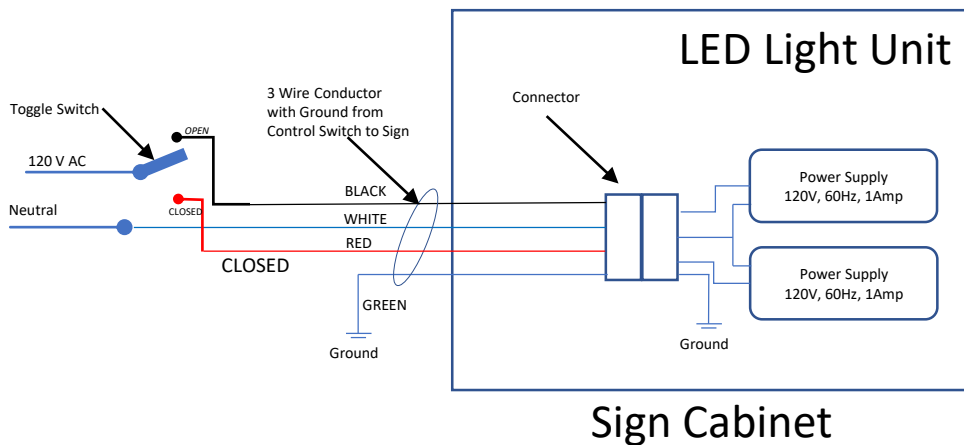
The model 634-LED backlit sign can be surface mounted directly to the building structure or recess mounted. Surface mounting options include rear and ceiling mounting. Side mounting is not recommended for this model. Optional brackets are also available for ceiling mounting.



Model 634-LED Backlit Electrical Installation

Electric service for this Model 634-LED backlit sign requires a 3-wire cable, plus ground, for 120 VAC, 1 amp service. Electrical hook-up can be made inside the sign cabinet. A 3-position, ON-OFF-ON switch is required inside the building for controlling the sign message.

This sign is intended to be installed in accordance with the requirements of Article 600 of the National Electrical Code and /or other applicable local codes. This includes proper grounding and bonding of the sign.



UL Approved for Wet Locations



WARRANTY

The model 634-LED backlit sign is guaranteed to be free from defects in material and workmanship for a period of 60 months. Our obligation is limited to providing free replacement parts or a replacement sign at our option.